

MEITRACK K211G GPS Smart Lock User Guide



Applicable Model: K211G

Change History

File Name	MEITRACK K211G GPS Smart Lock User Guide		
Project	K211G	Creation Date	2018-11-27
		Update Date	2019-12-06
Subproject	User Guide	Total Pages	21
Version	V1.2	Confidential	External Documentation

Contents

1 Copyright and Disclaimer.....	- 4 -
2 Product Introduction	- 4 -
2.1 Product Features.....	- 4 -
2.1.1 LoRa Communication (Optional).....	- 4 -
2.1.2 Locking or Unlocking the K211G	- 5 -
2.1.3 Dual SIM Cards.....	- 6 -
2.1.4 Magnetic Charging	- 7 -
2.1.5 Strong Magnetic Adsorption	- 7 -
2.1.6 Anti-collision Soft Adhesive	- 8 -
2.1.7 Security Performance - Super Password	- 8 -
3 Product Functions.....	- 9 -
3.1 Position Tracking.....	- 9 -
3.2 Alerts	- 9 -
3.3 Other Functions	- 10 -
4 Product Specifications	- 10 -
5 Main Device and Accessories	- 11 -
6 First Use	- 11 -
6.1 Installing a SIM Card	- 11 -
6.2 Turning on the K211G	- 12 -
6.3 LED Indicator.....	- 13 -
6.4 Device Configuration	- 13 -
6.4.1 Installing the USB Driver	- 13 -
6.4.2 Configuring Device Parameters by Meitrack Manager.....	- 14 -
6.5 Binding or Unbinding the T399G	- 15 -
6.5.1 Binding the T399G	- 15 -
6.5.2 Unbinding the T399G.....	- 15 -
6.6 Common SMS Commands	- 16 -
6.6.1 Setting GPRS Parameters – A21	- 16 -
6.6.2 Setting a Smart Sleep Mode – A73	- 16 -
6.6.3 Setting the Maximum Working Time of the Woken GPS Module – A83	- 16 -
6.6.4 Setting the SMS Time Zone – B35	- 17 -
6.6.5 Disabling the Power-off Function of the Power Button – C77	- 17 -
6.6.6 Authorizing an RFID Card – D10.....	- 17 -
6.6.7 Authorizing RFID Cards in Batches – D11.....	- 17 -
6.6.8 Locking or Unlocking the K211G – D82.....	- 18 -
6.6.9 Selecting a Locking Method – D83.....	- 18 -
6.6.10 Setting the automatic authorization time of swiping the RFID card – DB0.....	- 18 -
6.6.11 Changing Super Password – F22	- 19 -
7 Using the Platform.....	- 19 -
7.1 MS03 Tracking System	- 19 -
7.2 Authorizing RFID Cards in Batches by MS03	- 19 -
8 Device Installation	- 21 -

1 Copyright and Disclaimer

Copyright © 2019 MEITRACK. All rights reserved.

, and are trademarks that belong to Meitrack Group and its subsidiary.

The user manual may be changed without notice.

Without prior written consent of Meitrack Group, this user manual, or any part thereof, may not be reproduced for any purpose whatsoever, or transmitted in any form, either electronically or mechanically, including photocopying and recording.

Meitrack Group shall not be liable for direct, indirect, special, incidental, or consequential damages (including but not limited to economic losses, personal injuries, and loss of assets and property) caused by the use, inability, or illegality to use the product or documentation.

2 Product Introduction

The K211G is a GPS smart lock that supports Long Range (LoRa) and GPRS communication. Its main functions include real-time lock status monitoring, anti-tamper alert, anti-cut alert, swiping an RFID card to lock or unlock the device, and super long standby time. There is no button on the outer case of the device, and the IP67 water resistance rating makes the device withstand harsh environments ,and the device also has a crash-proof housing design. It is specially designed for door lock management in various land and sea transportation such as box trucks, trailers and containers.

2.1 Product Features

2.1.1 LoRa Communication (Optional)

This function is used for communication between the K211G and the T399G vehicle tracker. After the LoRa connection is successful, the K211G will send information such as lock status information and battery power to the T399G via LoRa. To establish LoRa communication between the K211G and the T399G, the two devices must be bound each other. For details about how to bind the T399G to the K211G, see the section 6.5 "Binding or Unbinding the T399G."

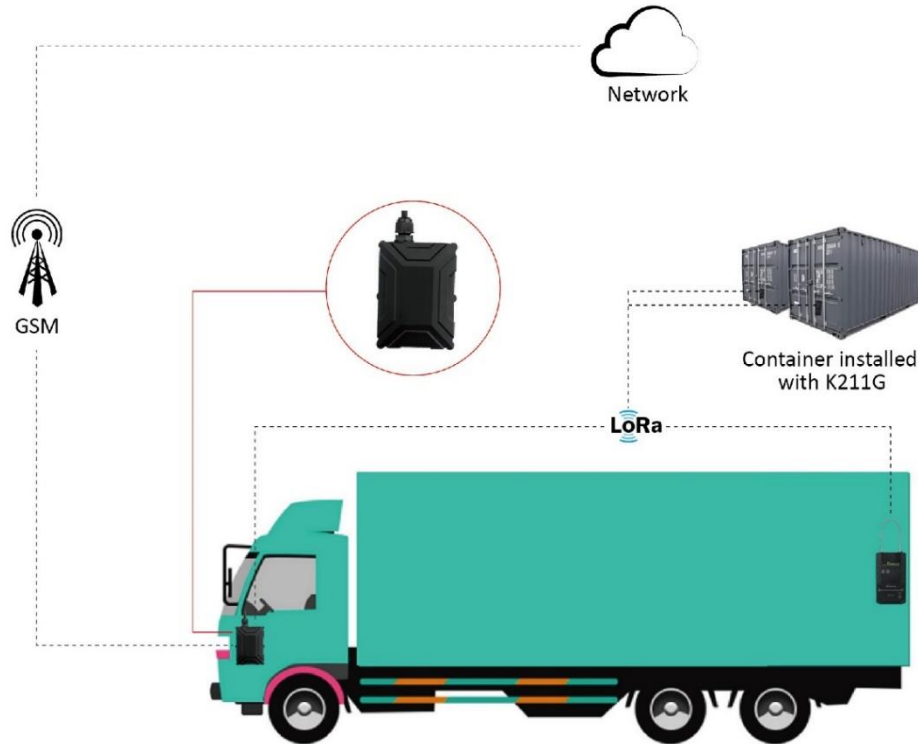
LoRa connection process:



T399G and K211G communication features:

- The K211G can be connected to the T399G via LoRa to upload data.
- One T399G tracker can be connected to at most 30 K211G devices at the same time.

Communication diagram



K211G Working Mode		Status
LoRa connected		The GPS and GSM modules of the K211G enter the sleep mode, and its lock status information and alerts will be uploaded to the server through the T399G.
LoRa disconnected	Deep sleep mode (send heartbeat packets once every one hour)	After the K211G is started properly, if no event is triggered, the K211G will enter the deep sleep mode (the GPS module will stop) after five minutes (default time). The wakeup conditions include vibration, swiping RFID cards ,Call ,SMS and sending heartbeat packets.
	Super deep sleep mode (send heartbeat packets once every one hour)	After the K211G is started properly, if no event is triggered, the K211G will enter the deep sleep mode the GPS and GSM module will stop) after five minutes (default time). The wakeup conditions include vibration, swiping RFID cards and sending heartbeat packets.
	Sleep mode disabled	Report data at the preset interval.

2.1.2 Locking or Unlocking the K211G

Locking or Unlocking by Swiping RFID Cards

The function is used to lock or unlock the K211G by swiping authorized RFID cards. When you swipe an RFID card, the K211G will automatically detect and record the unlocking time, location and RFID card number, and these data will be sent to the server.

Operation process: Put the authorized RFID card on the K211G's card swiping area. When the K211G detects this action, the buzzer will beep and the LVS LED indicator will be steady on, indicating that the K211G is unlocked. In this way, the last step for you is to pull out the lock rope. (To lock the K211G, you only need to swipe the RFID card once. Then the buzzer will beep and the LVS LED indicator will be off, indicating that the K211G is locked.)

Swiping an RFID card:



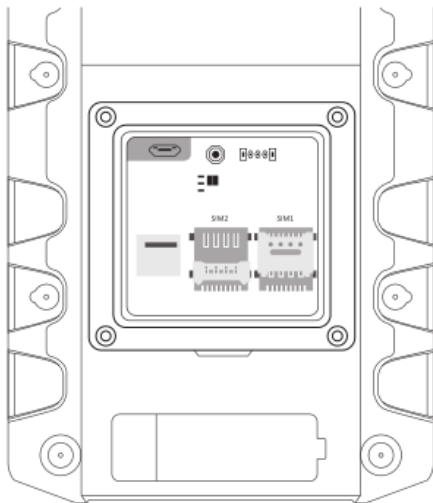
Note: In the locking or unlocking state, if you swipe an unauthorized RFID card, the buzzer will beep twice , but the K211G cannot be unlocked and locked. If you swipe an authorized RFID card, the buzzer will beep once. Before the K211G is locked,it is recommended to apply appropriate force on the lock rope first to make the waterproof ring of cable fully contact with the lock hole and improve the waterproof performance , and if the lock rope is cut, K211G cannot be locked. After the K211G is unlocked, if you do not pull out the lock rope within one minute, the K211G will be locked automatically.

Locking or Unlocking by Commands

Command	Description	How to Send
D82	This command is used to lock or unlock the K211G.	Send the command by SMS or GPRS. For details about the SMS command format, see the section 6.6.8 "Locking or Unlocking the K211G – D82."
D83	This command is used to select a locking method: auto locking or locking by swiping RFID cards.	Send the command by SMS or GPRS. For details about the SMS command format, see the section 6.6.9 "Selecting a Locking Method – D83."

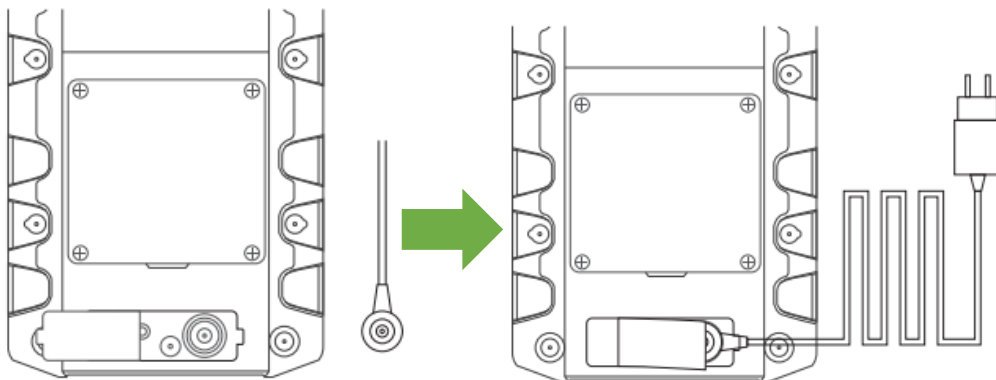
2.1.3 Dual SIM Cards

The K211G can be installed with two Micro SIM cards and supports the dual SIM single standby mode. The device will automatically select a SIM card to register the network. SIM1 (on the right) will be selected by default. If SIM1 fails to register the network, SIM2 (on the left) will be selected to do this. (Please ensure that at least one SIM card can be used normally.)



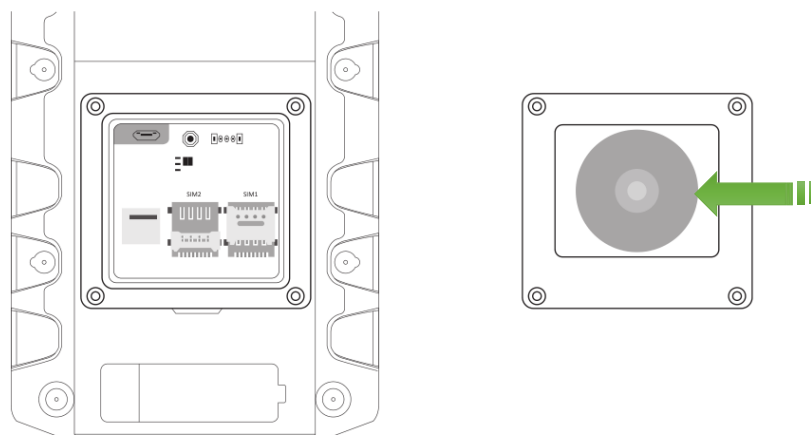
2.1.4 Magnetic Charging

You can use the magnetic charging cable to charge the K211G. The device supports 9V/2A power adapter, and it will take a total of 7.5–8 hours to charge the device fully.



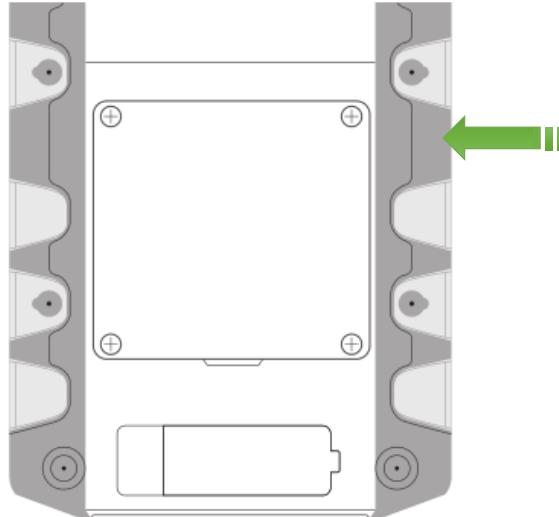
2.1.5 Strong Magnetic Adsorption

The back of the cover plate has strong magnetic, which can be adsorbed to the car door to prevent the device from shaking during movement.



2.1.6 Anti-collision Soft Adhesive

The gray protruding part in the figure is Anti-collision soft adhesive, which has shock absorption effect and it can effectively protect the device from being damaged in the collision.

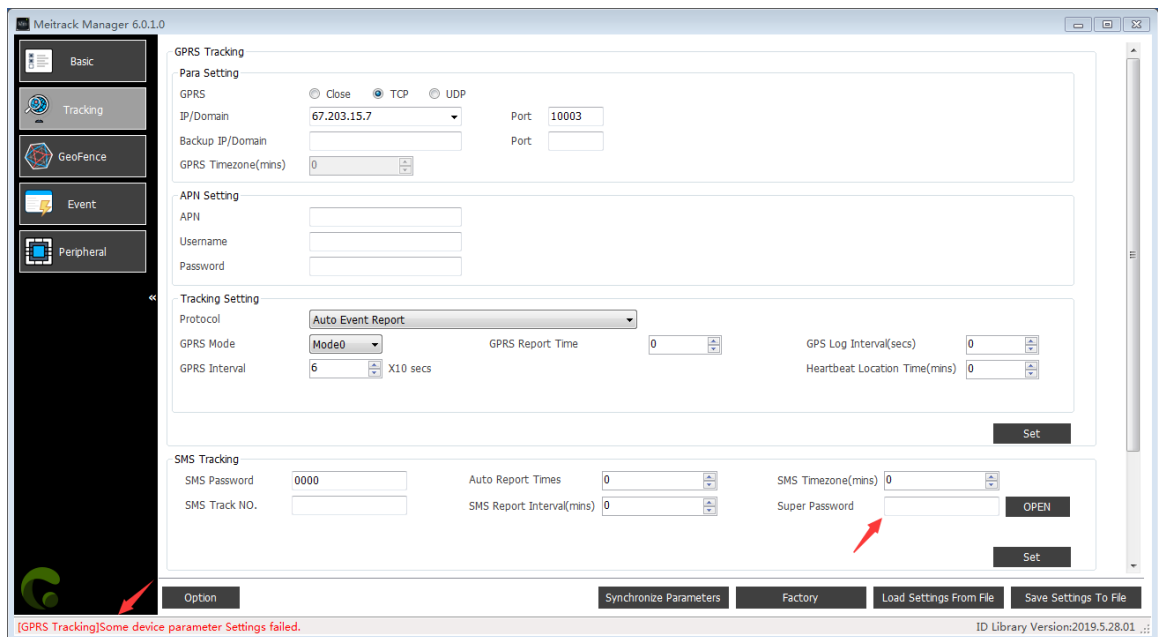


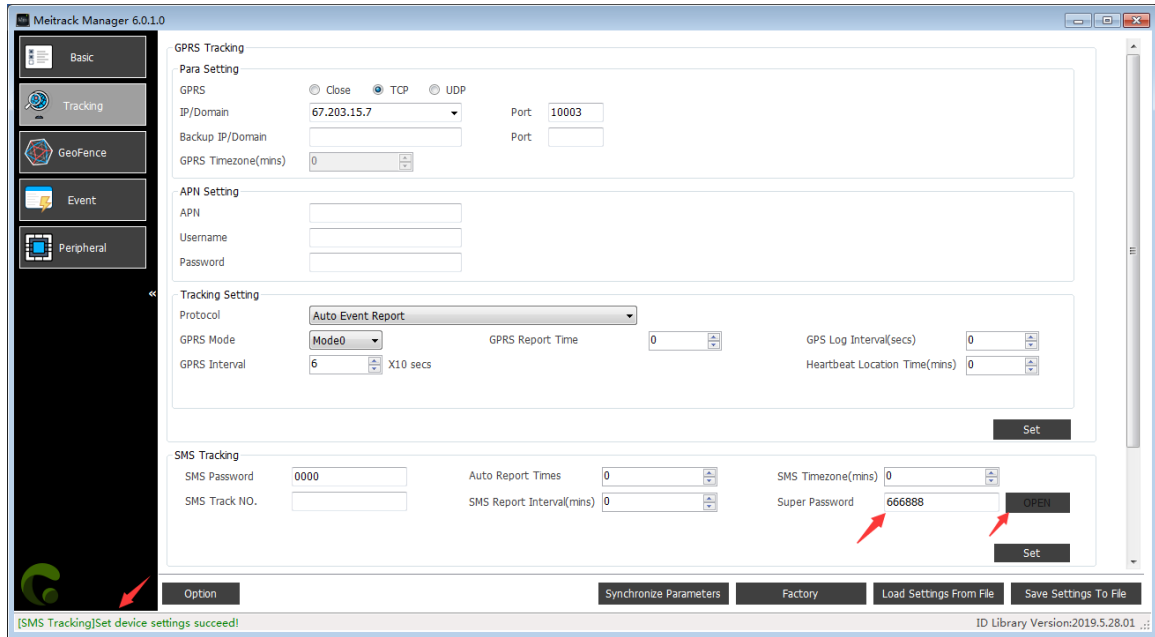
2.1.7 Security Performance - Super Password

To enhance security, K211G supports super password.

Super password (the default is 666888) supports all SMS commands, but DB0 / D82 / D10 / D11 / D14 D15 / A21 / F22 commands can't use the original SMS password (the default is 0000), they can only use super password.

When setting GPRS parameters through Meitrack Manager, you need to open the super password first before setting successfully:





Note:

It is recommended to set a new super password first, because the super password is related to the security of unlocking; The default super password is 666888, which can be modified by Meitrack Manager and F22 command. Please make sure to remember the super password, and the super password cannot be queried and reset to the original value, once you forget the password, it will not be able to recover.

3 Product Functions

3.1 Position Tracking

- GPS + LBS positioning
- Real-time location query
- Tracking by time interval
- Tracking by distance
- Tracking by mobile phone
- Speeding alert
- Cornering report
- Geo-fence

3.2 Alerts

Alert	Description
Outer case removal/open alert	An alert will be generated when the K211G's outer case is removed or the back cover is opened.
Lock tamper alert	An alert will be generated when the lock rope is cut off.
T399G disconnected alert (LoRa communication is required)	An alert will be generated when the K211G is disconnected from the T399G.
Unlocking alert	An alert will be generated when you swipe an authorized RFID card to

	unlock the K211G.
Locking alert	An alert will be generated when you swipe an authorized RFID card to lock the K211G.
Unlocking failure alert	An alert will be generated when the K211G fails to be unlocked by swiping an authorized RFID card.
Locking failure alert	An alert will be generated when the K211G fails to be locked by swiping an authorized RFID card.

3.3 Other Functions

Function	Description
Binding and unbinding	Enter the IMEI number of the T399G on Meitrack Manager software to bind the T399G to the K211G.
LoRa communication (optional)	Report lock status information of the K211G via LoRa.
Deep sleep mode	The K211G can be woken up by vibration, swiping RFID cards and sending heartbeat packets. If no event is triggered, the K211G will enter the deep sleep mode after five minutes (default time).
Dual SIM cards	The K211G can be installed with two Micro SIM cards and supports the dual SIM single standby mode.
OTA update	Online OTA firmware update
Remote unlocking or locking by commands	The D82 command is used to lock or unlock the K211G. You can send this command by SMS or MS03 platform.

4 Product Specifications

Item	Description
Dimension	112 mm x 195 mm x 37 mm
Lock rope length	300 mm (The length can be customized as needed.)
Weight	800g
Power supply	DC 9–14 V; 2 A
Material	The outer case of the device adopts PC materials.
Backup battery	14000 mAh/3.7 V
Power consumption	Current in standby (sleep) mode: 9 mA Current in normal working mode: 95 mA
Charging time	7.5–8 hours
Operating temperature	-20°C to 55°C
Operating humidity	5%–95 %
Working hour	Power-saving mode: 78 days Normal working mode: 150 hours
Charging	Magnetic charging (DC 9 V; 2 A; fast charging)
Water resistance rating	IP67
Frequency	K211G-E UMTS: 900/2100 MHz; GSM: 900/1800 MHz

band	K211G-A	UMTS: 850/1900 MHz; GSM: 850/900/1800/1900 MHz
	K211G-T	UMTS: 850/2100 MHz; GSM: 850/900/1800/1900 MHz
GPS antenna	Built-in GPS antenna	
GPS sensitivity	-161 dB	
Positioning accuracy	2.5 meters	
LoRa communication distance (optional)	At most 20 meters (obtained from actual tests in trucks' containers)	
LoRa working frequency (optional)	137–1020 MHz (433 MHz by default)	
LoRa antenna (optional)	Built-in spring antenna	
RFID module frequency	125 KHz	
Memory	8 MB	
SIM card installation	Flip the card slot cover to install Micro SIM cards; dual SIM cards	

5 Main Device and Accessories

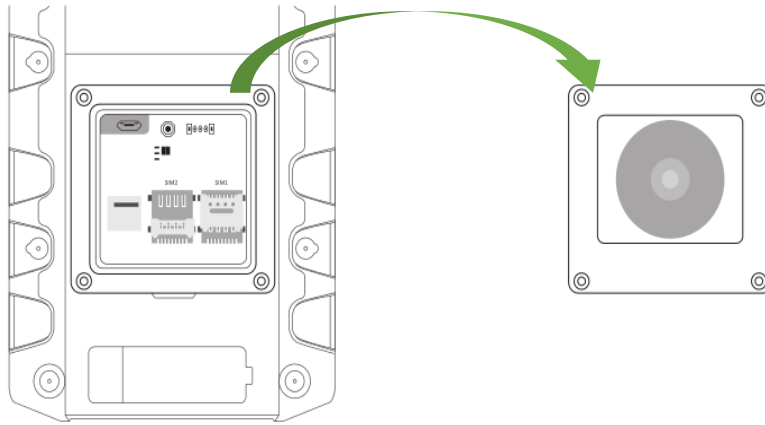


Note: Two RFID cards are standard, optional more and white type RFID card. The Power adapter(9V) can choose UL or VDE.

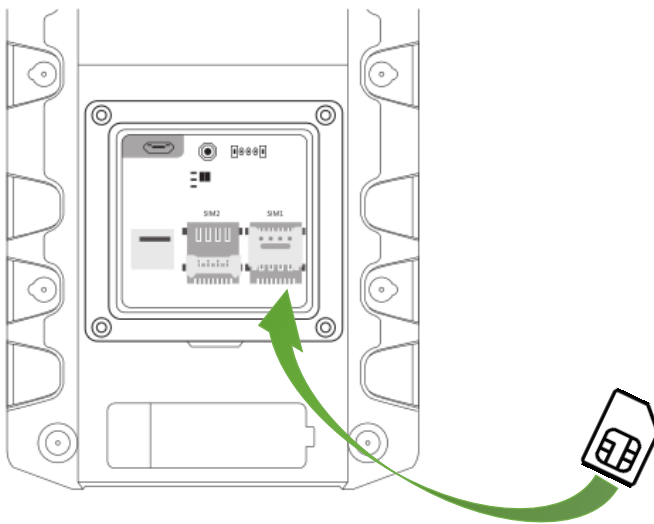
6 First Use

6.1 Installing a SIM Card

Remove the four screws from the cover and take the cover out.

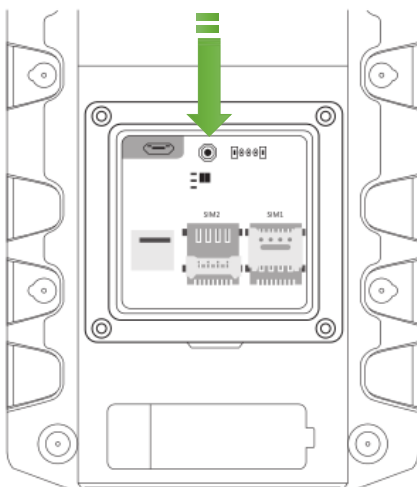


Insert a SIM card into one of the card slots (SIM1: right; SIM2: left).



6.2 Turning on the K211G

Press the power button for 3 seconds. Then the GPS and GSM LED indicators will blink fast, indicating that the device is turned on.



Note: When using the device for the first time, you are advised to charge the battery fully.

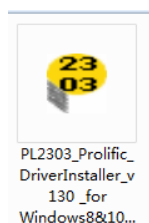
6.3 LED Indicator

LVS LED Indicator (Green)	
Steady off	The K211G is locked or is not connected to the T399G.
Steady on	The K211G is unlocked.
Blink fast (0.2 seconds on and 4.8 seconds off)	The K211G is connected to the T399G.
GPS LED Indicator (Blue)	
Blink fast (once every 0.1 seconds)	The K211G is being initialized, or the battery power is low.
Blink fast (0.1 seconds on and 2.9 seconds off)	A GPS signal is received.
Blink slowly (1 second on and 2 seconds off)	No GPS signal is received.
GSM LED Indicator (Green)	
Steady on	There is an incoming call, or the subscriber you dialed is busy now.
Blink fast (once every 0.1 seconds)	The K211G is being initialized.
Blink fast (0.1 seconds on and 2.9 seconds off)	A GSM signal is received.
Blink slowly (1 second on and 2 seconds off)	No GSM signal is received.
CHG LED Indicator (Red)	
Steady off	The external power supply is disconnected.
Steady on	The K211G is charging.

6.4 Device Configuration

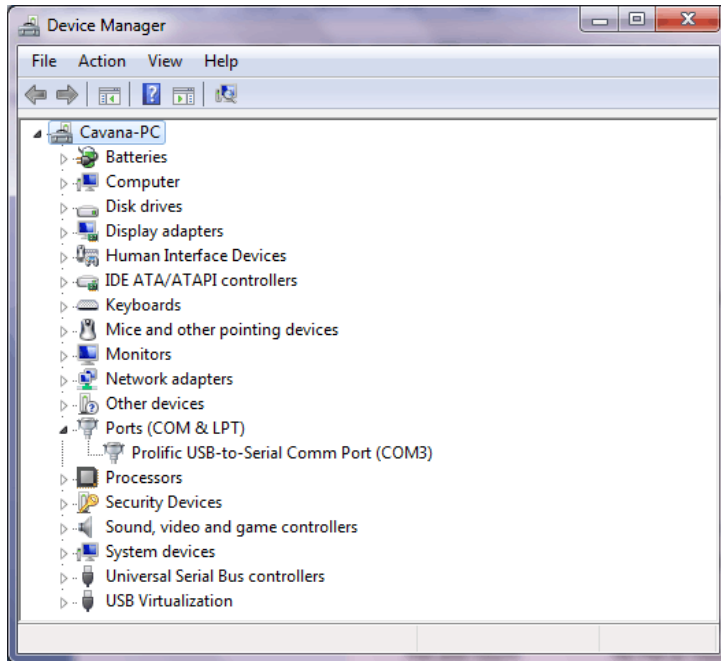
6.4.1 Installing the USB Driver

Install the USB driver on a computer with 64-bit Windows system.



After the installation is finished, connect the K211G to the computer by USB cable. If **Prolific USB-to-Serial Comm Port (COM3)** is displayed on the **Device Manager** page, the driver is installed successfully.

Note: Before connecting the K211G to the computer by USB cable, turn on the K211G first. Otherwise, it cannot be detected by Meitrack Manager.



6.4.2 Configuring Device Parameters by Meitrack Manager

This section describes how to use Meitrack Manager to configure the K211G on a computer.

Operation steps:

1. Install the USB driver and Meitrack Manager.
2. Connect the device to a computer by using the USB cable.



3. Run Meitrack Manager (6.0.0.9 version or later), then the following dialog box will appear:



4. Turn on the device, then Meitrack Manager will automatically detect the device model and the parameter page will appear accordingly.

For details about Meitrack Manager, see the *MEITRACK Manager User Guide*.

6.5 Binding or Unbinding the T399G

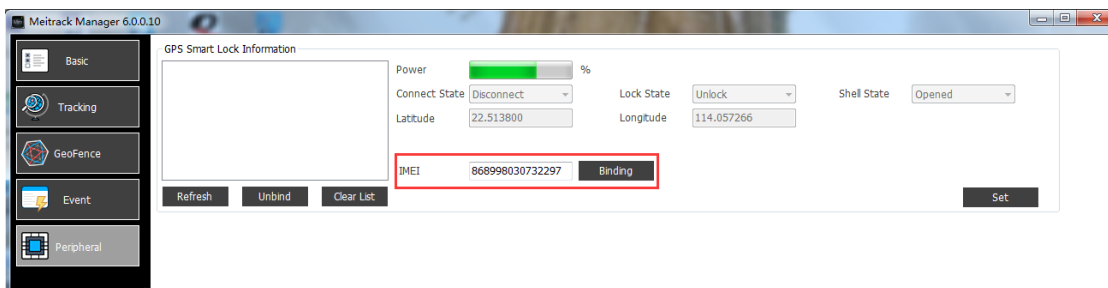
6.5.1 Binding the T399G

To make the K211G and T399G communicate with each other via LoRa, bind the two devices. An IMEI number is the default binding information.

Perform the following steps to bind the T399G:

1. Go to the **Peripheral** page of Meitrack Manager.
2. Enter the IMEI number of the T399G.
3. Click **Binding**.
4. Click **Set**.

After the binding is successful, the IMEI number of the T399G will displayed on the **GPS Smart Lock Information** area.



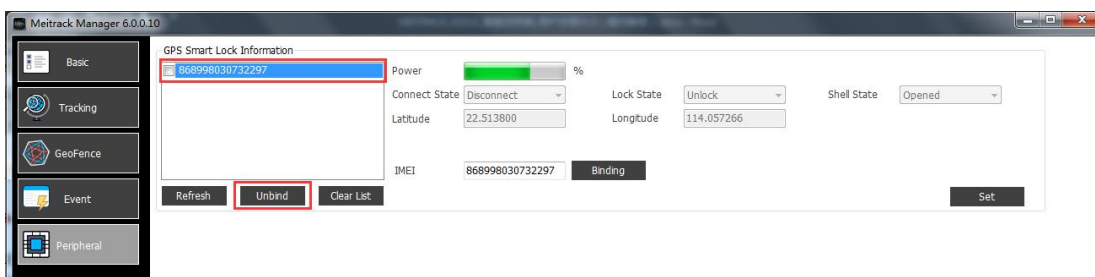
Note: To establish LoRa communication between the K211G and the T399G, the two devices must be bound each other. Please connect the T399G to the computer, and then repeat the above operations to bind the K211G.

6.5.2 Unbinding the T399G

This operation is used to disconnect the communication between the K211G and the T399G. After the unbinding is successful, the GPS positioning and GSM communication functions of the K211G will be enabled automatically. Lock status information will be uploaded to the server through the K211G.

Perform the following steps to unbind the T399G:

1. Go to the **Peripheral** page of Meitrack Manager.
2. Select the IMEI number to be unbound.
3. Click **Unbind**.
4. Click **Set**.



Note: The binding and unbinding functions are only available for the K211G with a LoRa module.

6.6 Common SMS Commands

6.6.1 Setting GPRS Parameters – A21

SMS Sending	Password,A21,Connection mode,IP address,Port,APN,APN user name,APN password
SMS Reply	IMEI,A21,OK
Description	<p>Connection mode = 0: function disabled.</p> <p>Connection mode = 1: function enabled; use the TCP/IP reporting mode.</p> <p>Connection mode = 2: function enabled; use the UDP reporting mode.</p> <p>IP address: IP address or domain name. A maximum of 32 bytes are supported.</p> <p>Port: a maximum of 5 digits.</p> <p>APN/APN user name/APN password: a maximum of 32 bytes respectively.</p> <p>If no user name and password are required, leave them blank.</p> <p>Note: this command can only use super password.</p>
Example	
SMS Sending	666888,A21,1,server.meigps.com,8800 ,CMNET,,
SMS Reply	353358017784062,A21,OK

6.6.2 Setting a Smart Sleep Mode – A73

SMS Sending	Password,A73,0
SMS Reply	IMEI,A21,OK
Description	<p>When the sleep level is 0, the sleep mode is disabled (default).</p> <p>When the sleep level is 1, the tracker enters the normal sleep mode. The GSM module always works, and the GPS module occasionally enters the sleep mode. The tracker works 25% longer in the normal sleep mode than that in the normal working mode. This mode is not recommended for short interval tracking; this will affect the route precision.</p> <p>When the sleep level is 2, the tracker enters deep sleep mode. If no event (RFID, shear line, vibration, incoming calls, or SMSs) is triggered after five minutes, the GPS module will stop and the GSM module will enter sleep mode. Once an event is triggered, the GPS and GSM modules will be woken up.</p> <p>When the sleep level is 3, the tracker enters deep sleep mode. If no event (RFID, shear line, vibration) is triggered after five minutes, the GPS and GSM module will stop. Once an event is triggered, the GPS and GSM modules will be woken up.</p>
Example	
SMS Sending	0000,A73,0
SMS Reply	353358017784062,A73,OK

6.6.3 Setting the Maximum Working Time of the Woken GPS Module – A83

SMS Sending	Password,A83,X
SMS Reply	IMEI,A83,OK
Description	<p>X: indicates the maximum working time of the GPS module woken up by heartbeat packet.</p> <p>Decimal; value range: 0–255; unit: minute.</p> <p>X = 0 (default): After the GPS module is woken up by heartbeat packet, it does not work</p>

	and the GPS is invalid.
Example	
SMS Sending	0000,A83,1
SMS Reply	353358017784062,A83,OK

6.6.4 Setting the SMS Time Zone – B35

SMS Sending	Password,B35,SMS minute
SMS Reply	IMEI,B35,OK
Description	<p>The default time zone of the device is GMT 0. You can run the B35 command to change the time zone of an SMS report to the local time zone. The time zone of an SMS report is different from that of a GPRS data packet.</p> <p>When SMS minute is 0, the time zone is GMT 0.</p> <p>When SMS minute is a value ranging from -720 to 780, set time zones.</p>
Example	
SMS Sending	0000,B35,480
SMS Reply	353358017784062,B35,OK

6.6.5 Disabling the Power-off Function of the Power Button – C77

SMS Sending	Password,C77,0
SMS Reply	IMEI,C77,OK
Description	<p>X = 1: You can turn off the device by power button.</p> <p>X = 0: You cannot turn off the device by power button.</p>
Example	
SMS Sending	0000,C77,0
SMS Reply	353358017784062,C77,OK

6.6.6 Authorizing an RFID Card – D10

SMS Sending	Password,D10,RFID(1),RFID(2),...,RFID(n)
SMS Reply	IMEI,D10,OK
Description	<p>RFID(n): indicates the authorized RFID card number. The value ranges from 1 to 4294967295. Decimal.</p> <p>A maximum of 50 RFID cards can be authorized at a time.</p> <p>Note: this command can only use super password.</p>
Example	
SMS Sending	666888,D10,00000001
SMS Reply	353358017784062,D10,OK

6.6.7 Authorizing RFID Cards in Batches – D11

SMS Sending	Password,D11,RFID card start number,n
SMS Reply	IMEI,D11,OK

Description	RFID card start number: The value ranges from 1 to 4294967295. Decimal. n: indicates the number of RFID cards to be authorized in batches. Decimal. The parameter value ranges from 1 to 128. Note: this command can only use super password.
Example	
SMS Sending	666888,D11,00000001,128
SMS Reply	353358017784062,D11,OK

6.6.8 Locking or Unlocking the K211G – D82

SMS Sending	Password,D82,X
SMS Reply	IMEI,D82, lock state
Description	When X is 0 , the K211G is locked. When X is 1 , the K211G is unlocked. If the command does not contain the parameter X , the lock status will be read. X = 0: Locking; X = 1: Unlocking; X = 2: Lock tampering; X = 3: Lock abnormal; X = 4: Parameter error. Note: this command can only use super password.
Example	
SMS Sending	666888,D82,0
SMS Reply	868998030003608,D82,OK

6.6.9 Selecting a Locking Method – D83

SMS Sending	Password,D83,X
SMS Reply	IMEI,D83,OK
Description	When X is 0 , the K211G is locked automatically. When X is 1 , the K211G is locked by swiping RFID cards. The auto locking method is selected by default. If the command does not contain the parameter X , the locking method will be read.
Example	
SMS Sending	0000,D83,0
SMS Reply	868998030003608,D83,OK

6.6.10 Setting the automatic authorization time of swiping the RFID card – DB0

SMS Sending	Password,DB0,X
SMS Reply	Qcom 时间 DB0,OK
Description	X: ranges from 1 to 10000. Decimal , Unit: seconds Within the automatic authorization period of swiping the card, swiping any RFID card will be automatically authorized, after the end of the automatic authorization period, the working state will be back to normal. Send command without parameter means reading the remaining time.

	Note: this command can only use super password.
Example	
SMS Sending	666888,DB0,10
SMS Reply	868998030003608,DB0,OK

6.6.11 Changing Super Password – F22

SMS Sending	AAAAAA,F22,BBBBBB
SMS Reply	IME,F22,OK
Description	<p>Need to enter super password before setting IP and port in MM.</p> <p>Super passwords support all SMS commands. But A21/D10/D11/D14/D15/D82/DB0/F22 commands only support super password, not SMS password.</p> <p>The default super password is 666888. The length is 6 digits.</p> <p>AAAAAA is the original super password, BBBBBB is the new password</p> <p>Note:</p> <p>this command can only use super password.</p> <p>Please make sure to remember the super password, and the super password cannot be requested and reset to the original value, once you forget the password, it will not be able to recover.</p>
Example	
SMS Sending	666888,F22,OK
SMS Reply	868998030003608,F22,OK

Note: For details about SMS commands, see the MEITRACK SMS Protocol.

7 Using the Platform

7.1 MS03 Tracking System

Visit <http://ms03.trackingmate.com>, enter the user name and password, and log in to the MS03. (Purchase the login account from your provider.)

For more information about how to add a device, see the *MEITRACK GPS Tracking System MS03 User Guide* (chapter 4 "Getting Started").

The MS03 supports the following functions:

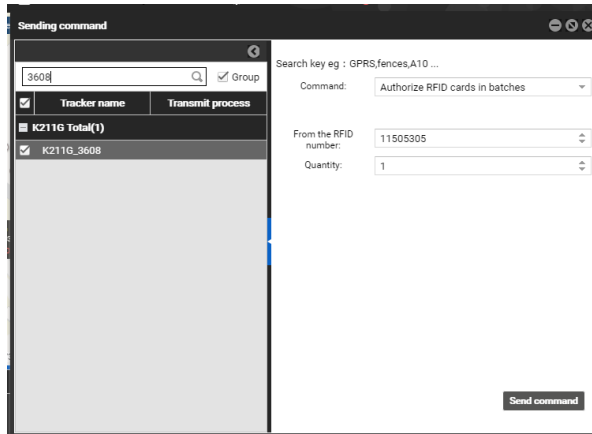
- Track by time interval or distance.
- Query historical trips.
- Set polygonal geo-fences.
- Bind driver and vehicle information.
- View various reports.
- Send commands in batches.
- Support OTA updates.

For details, see the *MEITRACK GPS Tracking System MS03 User Guide*.

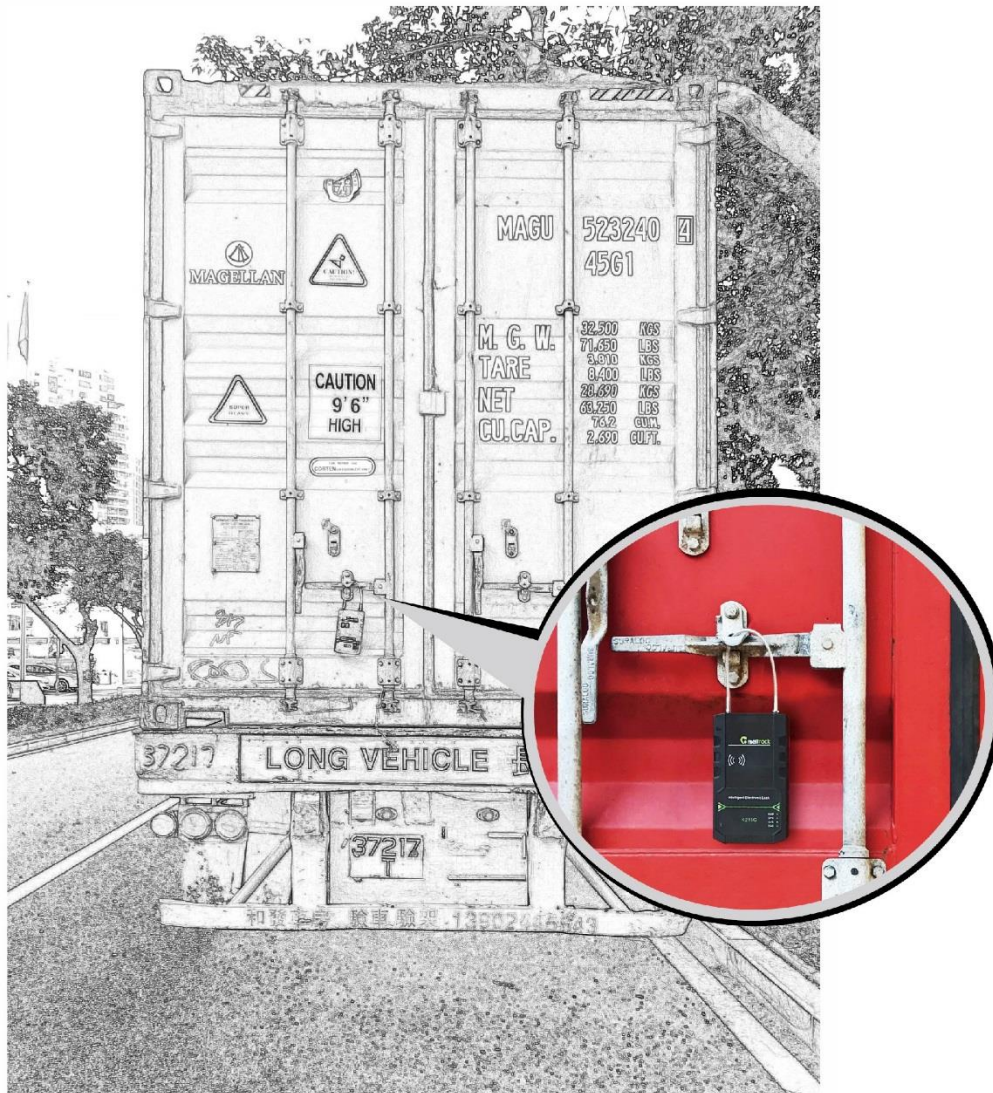
7.2 Authorizing RFID Cards in Batches by MS03

1. On the main interface of the MS03, choose **Management**.

2. On the **Management** window that is displayed, select **Sending command** from **Use Normal**.
 3. On the **Sending command** window that is displayed, set **Command** to **Authorize RFID cards in batches**, enter the RFID card start number and the number of cards, and click **Send command**.
- If only one RFID card needs to be authorized, the number of cards is **1**. After the RFID cards are authorized successfully, you can swipe these cards to unlock and lock the K211G and record operator information.



8 Device Installation



If you have any questions, do not hesitate to email us at info@meitrack.com.